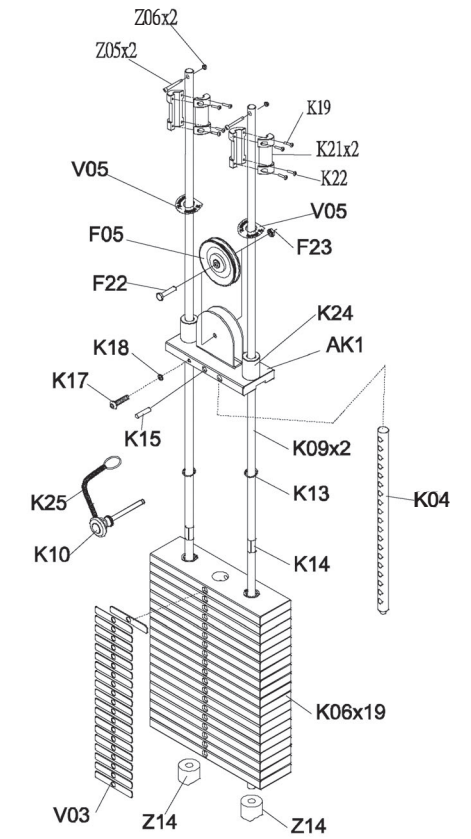
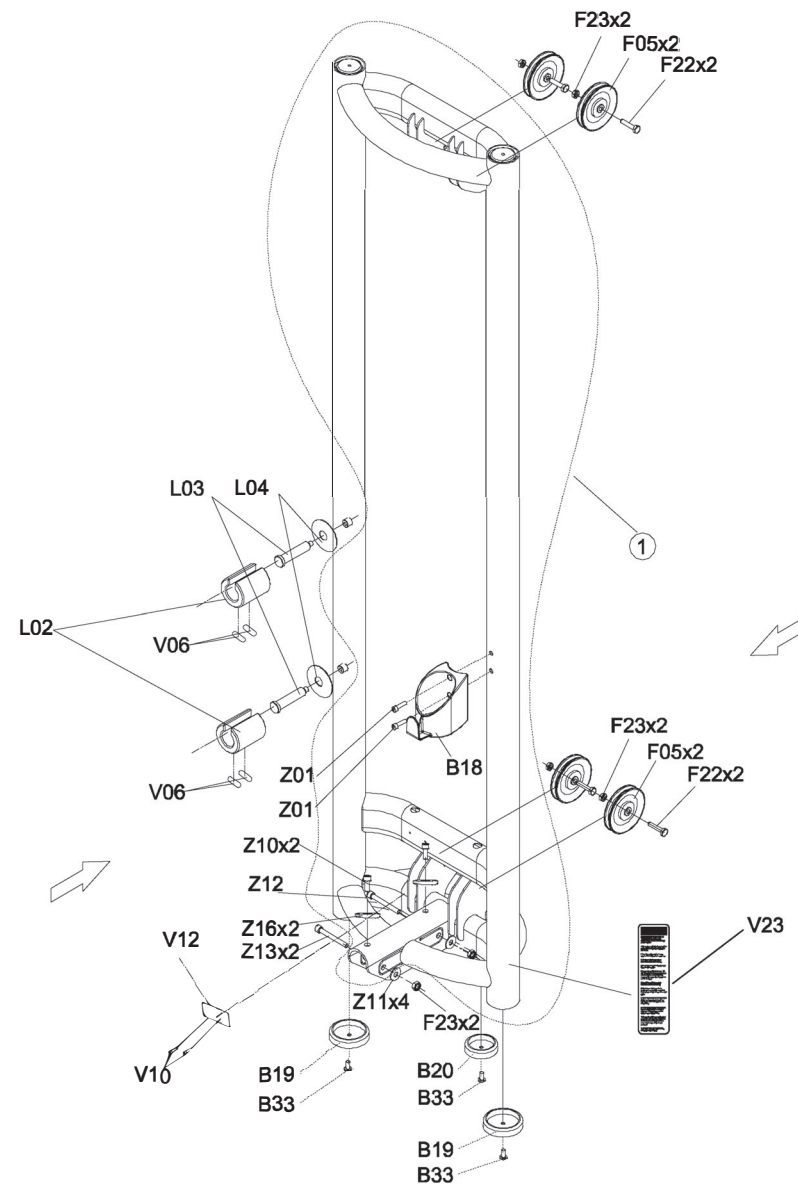
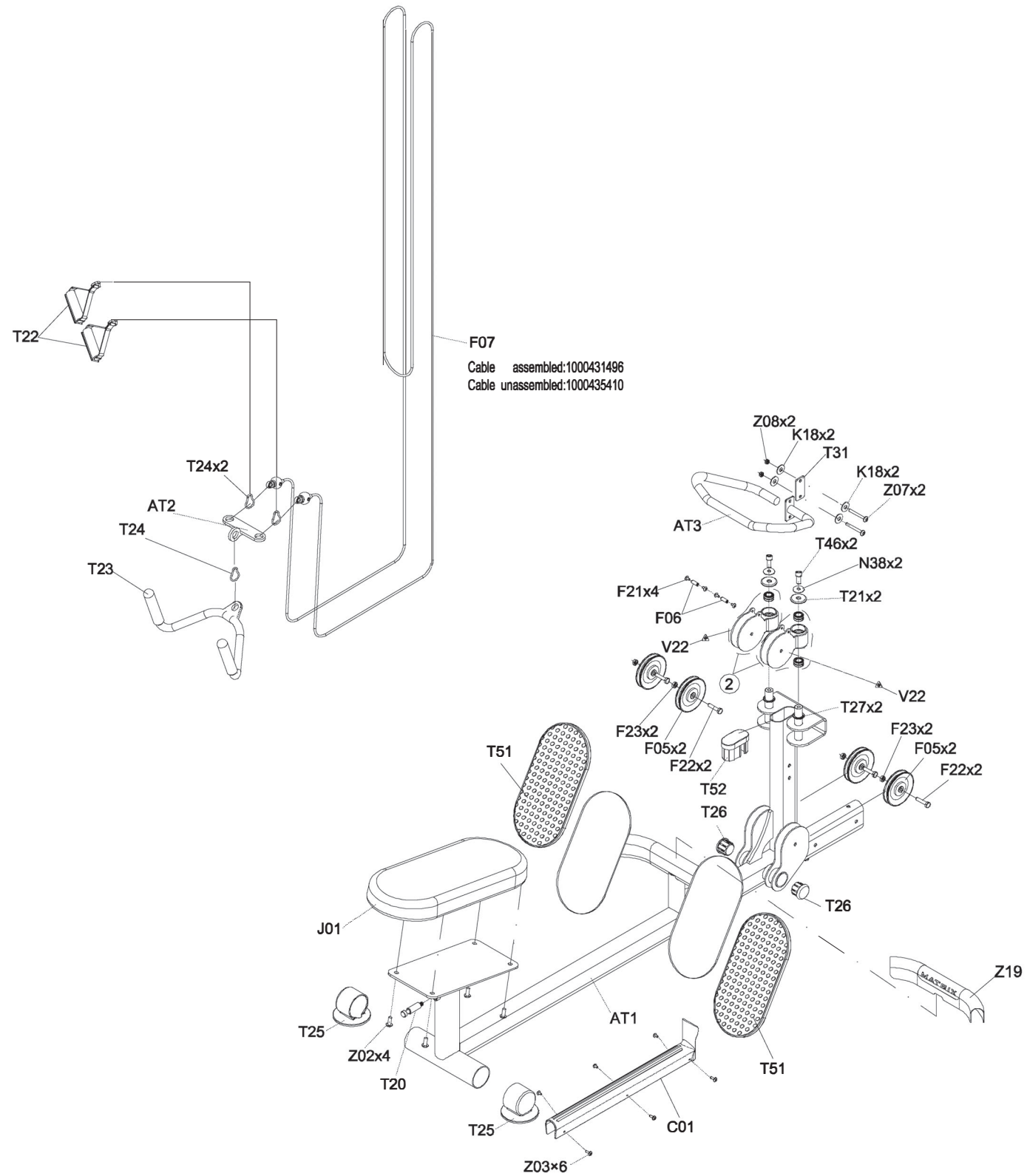
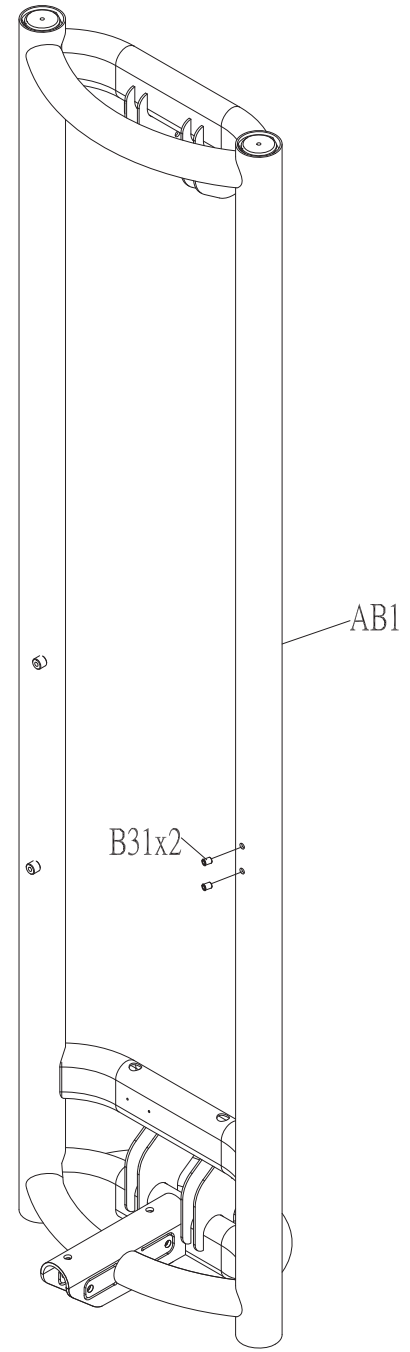


DRAWING NO	MS53-SF03		
PART NAME	MS53KM-G3		
PART NO	1000330391	REV	A
APPROVE	Taoyongchun	DATE	01.11.2019



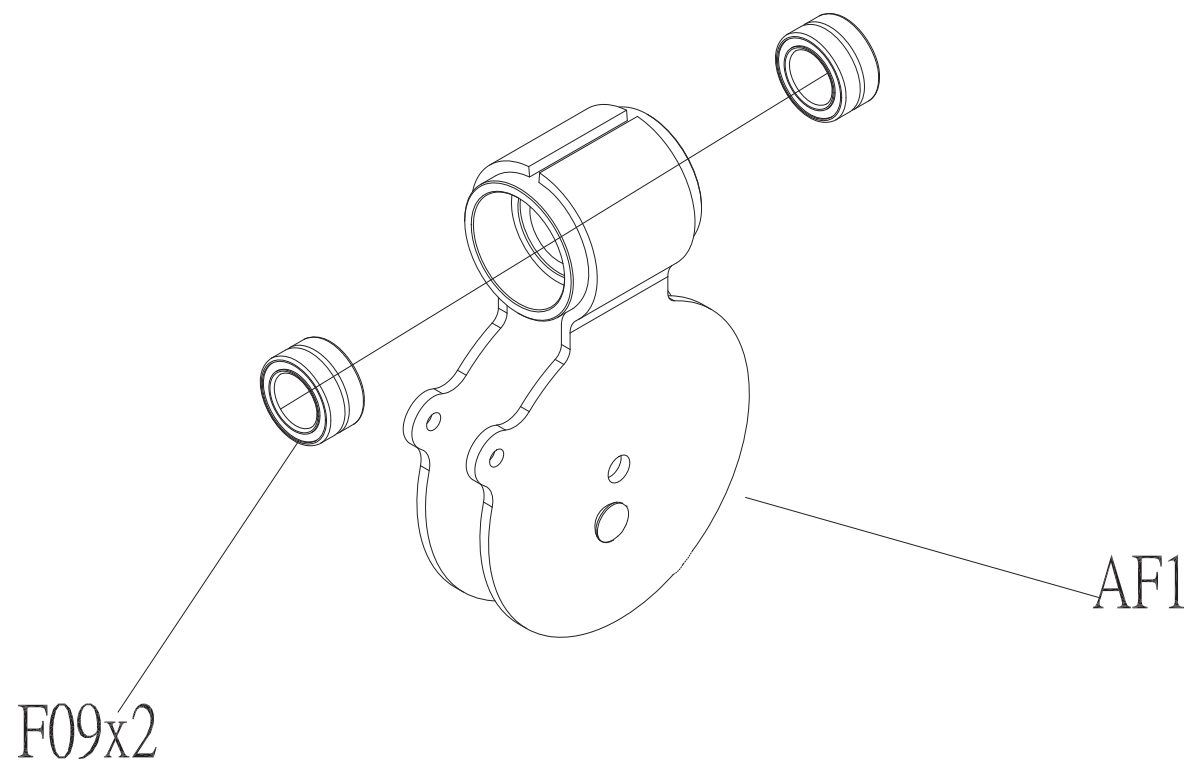
DRAWING NO			
PART NAME	Frame Set;Semi-Assy;MS53KM-G3		
PART NO	See chart	REV	A
APPROVE	Ares	DATE	06/25/14

Coulour	Part no.
Default	097477
Black Matte	1000320871
Iced Sliver	1000349150

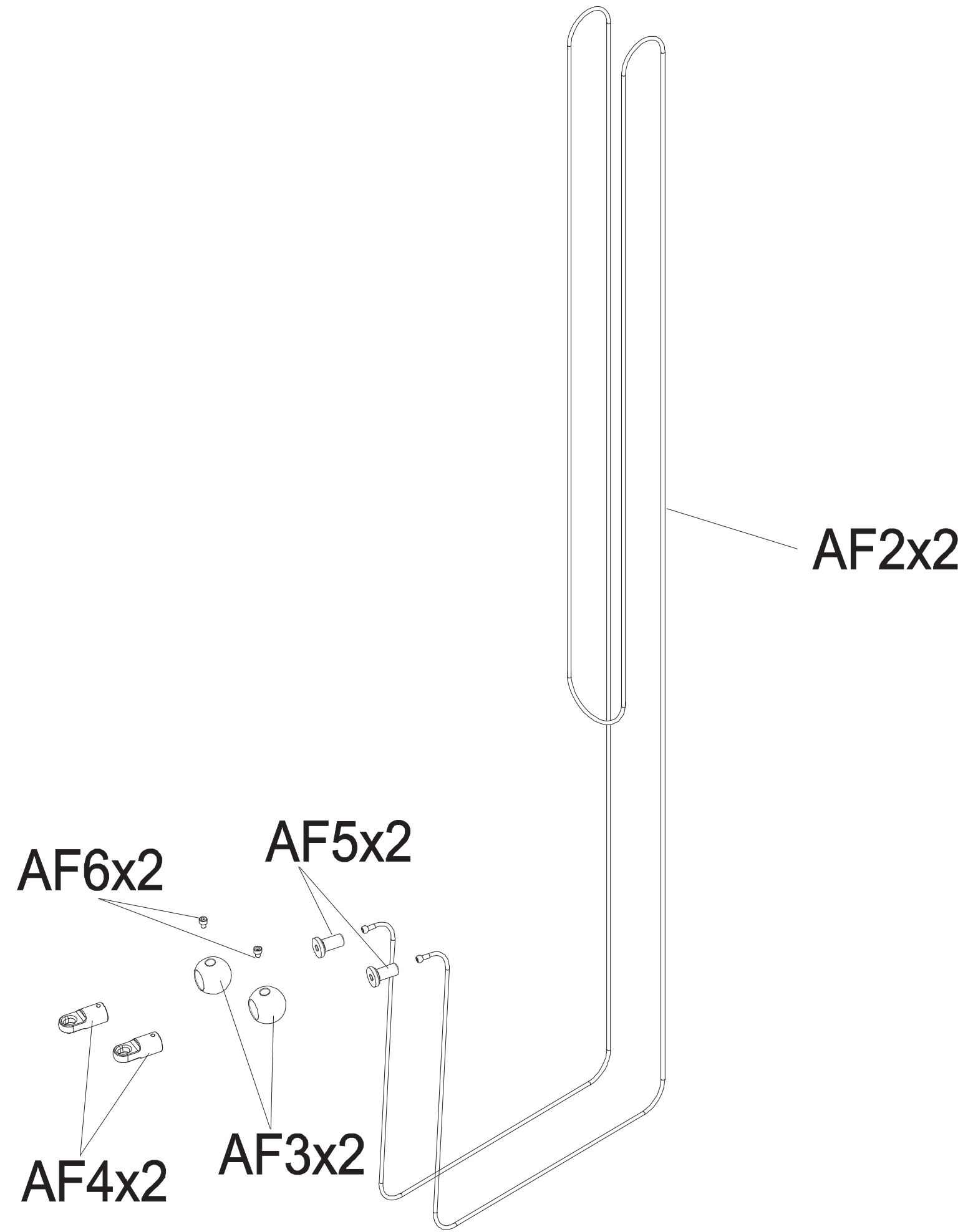


DRAWING NO			
PART NAME	Movable Pulley Fixing Set;MS53		
PART NO	See chart	REV	A
APPROVE	Ares	DATE	06/25/14

Coulour	Part no.
Default	1000349148
Black Matte	1000320868
Iced Sliver	089905



DRAWING NO	MS53-SF35		
PART NAME	Rendering;Steel Rope Unassembled;MS53		
PART NO	1000435410	REV	A
APPROVE	Taoyongchun	DATE	12192018



Reference Number	Part #	Description	Notes
1	1000318313	Up Weight Plate Set-Exreawork;;;;;MS51;	
2	1000419004	Handle set;Semi-Assy;;;assembly;;;MS51B;	
6	1000360737	Adjust set;Semi-Assy;;;;;PL08BKM-G3;lced	
AB5	1000363588	Stopper set;Guide Rod;;painting;;;MS20;	
AE1	084555	Grip ?FSemi-Assy;GM01	
AF11	1000375536	STEEL ROPE PULLEY SET;;;lced Sliver;;;MS	
AF3	1000431432	Plastic Ball;Steel Rope;;PA66+GF30%;;;MS	
AF4	1000431435	Fix Block;Rop;;;Chrome;MS10;;	
AF5	1000431433	Protect Bushing;Steel Rope;;PU;BL/Black	
AF6	1000305873	Screw;Socket Head;M5X0.8PX6L;;Hex Socket	
AN1	1000419026	Lower Pull Set;;;painting;;lced Sliver;M	
AT1	1000418028	Seat Set;;;painting;;lced Sliver;MS51B;	
AT2	015840-A	Grip Fix Set;R;Painting;MS53	
B18	000791-B	Water Bottle Holder	
B19	000510-D	Foot Pad;Rubber;76.2mm	
B20	000508-D	Foot Pad;Rubber;60mm	
B33	1000102893	Screw;Hex Socket;Flat;M8x1.25Px20L;Cr Pl	
D10	004855-AC	Set Screw;M6X1.0PX4L	
F06	073573	Pulley; 115mm	
F07	009247-A	Axle;Swivel;;S45C;10x25L	
F08	1000474131	Steel Rope Set;;;No Fix Block;Press Rope	Contains AF2, AF3, AF5.
F21	087955	Screw;BH;M6X1.0PX10L;;HS;;CHM;;BP	
F22	1000104720	Screw;HH;M10x1.5Px45L;P-T15L;CHM;BP;G8.8	
F23	004943-00	Nut;Nylon;M10x1.5P;Cr Plate;	
H07	009289-F	Adjustable Axle;Back Pad ;GM03	
H08	004118-00	Bearing;Dry;Flange;LEF-2015 LFF-2015	
H10	100995	Stopper Ring;Leg Pad;ABS;GM42	
H12	096073	CON Plate; Cap;SPHC3.0t;GM42	
H13	096074	Stopper Ring;Cap;AL6061;GM42	
H14	1000095593	Cap;Leg Pad;ABS;GM42	
H15	1000095594	Cap;Leg Pad;ABS;GM42	

J02	1000095598	Leg Pad;Black;Vesicant;GM42
J31	1000210205	BACK PAD;-;PU;BLACK;-;
K06	015943-AA	Weight Plate Set;15 Lbs;Dry Bearing
K09	1000210974	Guide Rail;19x2180L
K10	1000372591	Adjustable Pin;Weight Plate;;42CrMo;Chro
K13	1000102912	Circlip;External C Type;S-30;BED
K15	1000105039	Pin;Spring;10X70;OXIDIZE
K17	004720-AC	Screw;Hex Socket;Umbrella;M8x1.25Px20L;
K18	005040-00	Washer;Flat;Diam.8.5xDiam.19.0x1.5T;;Bla
K19	1000104705	Screw;RND;M6x1.0Px15L;HS;CHM;BP;G8.8
K24	001508-E	Long Guide Rubber Plate;POM
K25	005847-A	Lanyard;Weight Selection Pin
K28	1000345425	Stopper Ring;Guide Rod;;;Chrome;GM41;;
L02	1000098481	Weight Plate, Incremental
L03	1000098483	Extrawork;Incremental Weight Plate Hook;
L04	000755-CA	Elastomer;Incremental Weight Plate
N12	1000375594	Pulley Set;Steel Cable;;;Iced Sliver;MS
N13	089983	Grip;MS21KM-G3;
N17	1000380094	Karabiner Spring Snap;;9(45mmx90mm);Sta
N36	029145-AA	Foam;25.4x5.0tx476L
N37	009371-E	Cap;Grip;GM03
N39	009356-B	Stopper Mast;Foam;AL6061;GM03
N40	004855-AC	Set Screw;M6X1.0PX4L
T10	008546-F	Leveler Adjustable Cover
T13	001523-E	Rubber Stop;CAM
T31	004482-AB	Screw;Hex Socket;Round;M8x1.25Px20L;Cr Decal;Weight Plate;15LBS (Contains decals up
V03	006611-E	to 295lbs)

V05	006652-C	Decal;Incremental Weight Plate
V06	006653-C	Decal;Weight Plate
V07	006610-B	Decal;Foot Pad Adjustable;GM01
V21	1000380986	Instructional Labe;;;PC;;English;MS51
V22	1000109127	Decal;Pinch Point ;MS21KM-G3
V23	1000363760	Warning Label;Frame;;;PC;;English;GM40
V25	1000359953	Warning Label;Anti Falling Down;;;;Engl
V36	1000402110	Warning Label;;40x40;;PC;;;COUNTER WEIGH
Z01	004535-AC	Screw;Hex Socket;Round;M8x1.25Px30L
Z04	1000102867	Screw;Hex Socket;Round;M10x1.5Px100L;Cr
Z05	020465-AB	Washer;Flat;M10.2X25PX2.0T;Chromed
Z07	1000102869	Screw;Hex Socket;Round;M12x1.75Px25L;Cr
Z07	004943-00	Nut;Nylon;M10x1.5P;Cr Plate;
Z08	004519-AE	Screw;Round;Hex Socket;M10x1.5Px80L
Z08	005132-00	Washer;Flat;13x26x2.5T;Chromed
Z09	005007-00	Washer;Spring;12.2x21.5x3.0t
Z10	004556-AB	Screw;Hex Socket;Round;M12x1.75Px25L;Cr;
Z13	004557-A	SCREW;SH;M6X1.0PX45L;;HS;;CHM;;
Z13	005130-00	Washer;Flat;8.4x15.5x1.6T;Chromed
Z14	004938-00	Nut;Nylon;M6X1.0P;Chromed
Z15	020304-AC	Screw;Hex Socket;M10X1.5PX35L;Cr Plate
Z16	001513-A	Rubber Block;Shock Absorb
Z17	004555-AB	Screw;Hex Socket;Round;M10x1.5Px25L;Cr;A
Z18	008523-B	Washer;Arc;M10x28x10.5T;SS41
AB11	1000418961	Frame Set;Semi-Assy;;Iced Sliver;;;MS51B
AB5	1000440400	Stopper set;Guide Rod;;painting;;PF Yell
AF2	1000434802	Steel Rope Set;;;F4.8x5398L;MS51;;Exclud
AH1	1000360789	Adjustable Set;;;painting;;Iced Sliver;P
AK1	1000317793	Top Weight Plate Set;;;painting;;;MS51;

F08 J25	1000435408 See Pad Matrix	Rendering;;;Steel Rope Unassembled;;MS5 Wear Cover	
Not Shown	1000104390	Weight Plate Set;15LBS;4 PCS/Carton;GM01	
Not Shown Not Shown	1000104391 1000412388	Weight Plate Set;15LBS;5 PCS/Carton;GM01 Hardware Set;Semi-Assy;;;MS51B;	
Not Shown Not Shown V27 F08	1000414506 1000417314 1000371356 1000431494	Pad set;Semi-Assy;;Midnight Black;;;GM01 Manual;;;English;;MS51B; Series no. Label;;;PETP;;; Steel Rope-Extrawork;;;Press Rope Hand;; Bayonet;Weight Plate;20 Aperture\\ Discontinued: Order top weight plate set instead	
K04	009641-F		Discontinued
Z09	005018-00	Washer;Spring;SW12 12.2X21.5X3T;Chromed	Discontinued